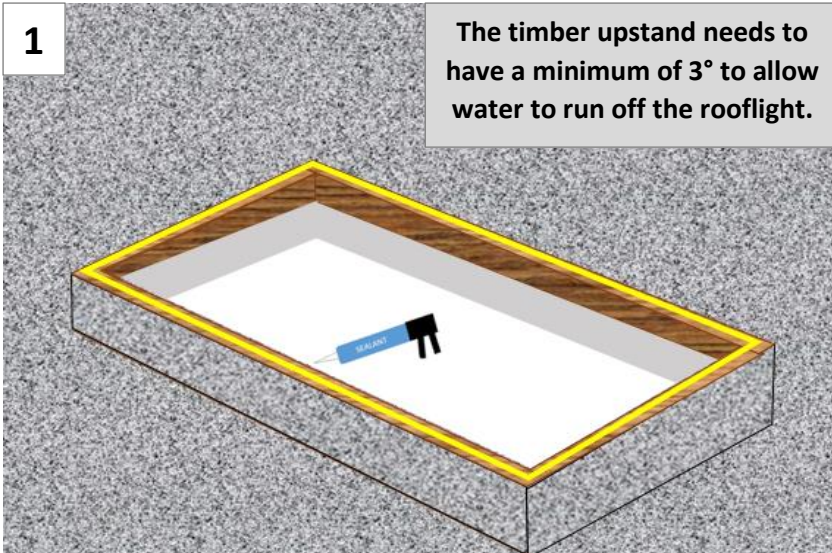


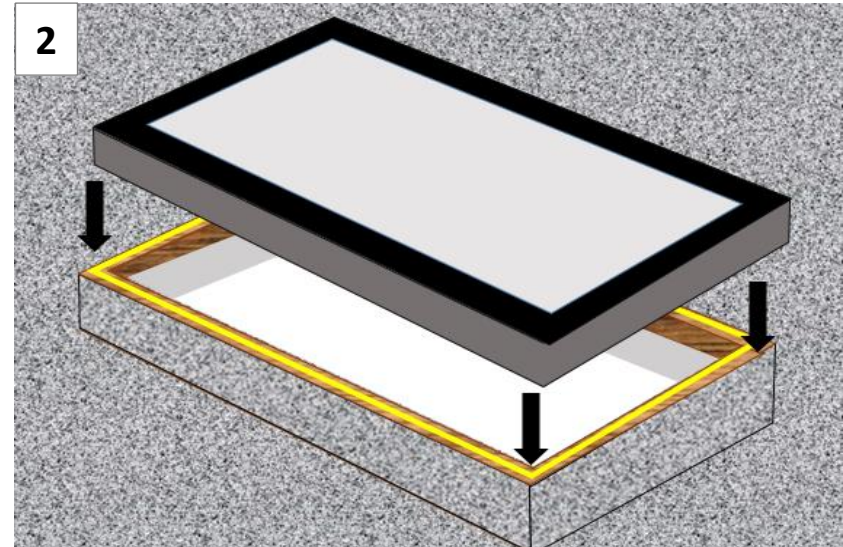
1

The timber upstand needs to have a minimum of 3° to allow water to run off the rooflight.



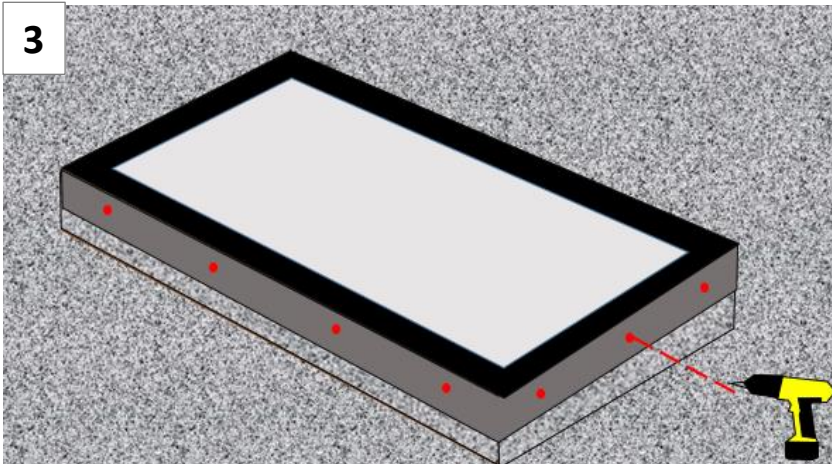
Apply a thick bead of silicone all the way around on top of the timber upstand/kerb.

2



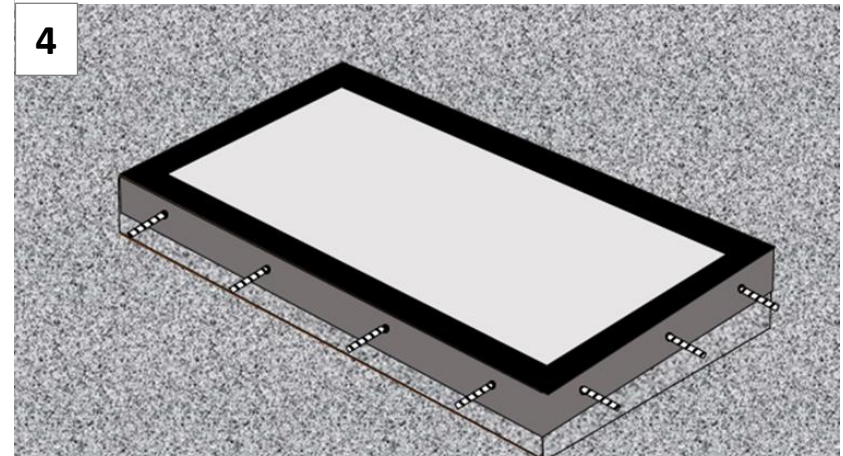
Position the flat aluminium rooflight frame over the top and the side of the upstand/kerb.

3



Pre drill fixing holes through aluminium and timber upstand/kerb at 100mm from each corner then at regular intervals.

4



Secure fixing screws with horse shoe packers and finishing caps continuously all the way around securing the aluminium frame in place.