

# glow<sup>®</sup>

Heated Glass by Tuffx

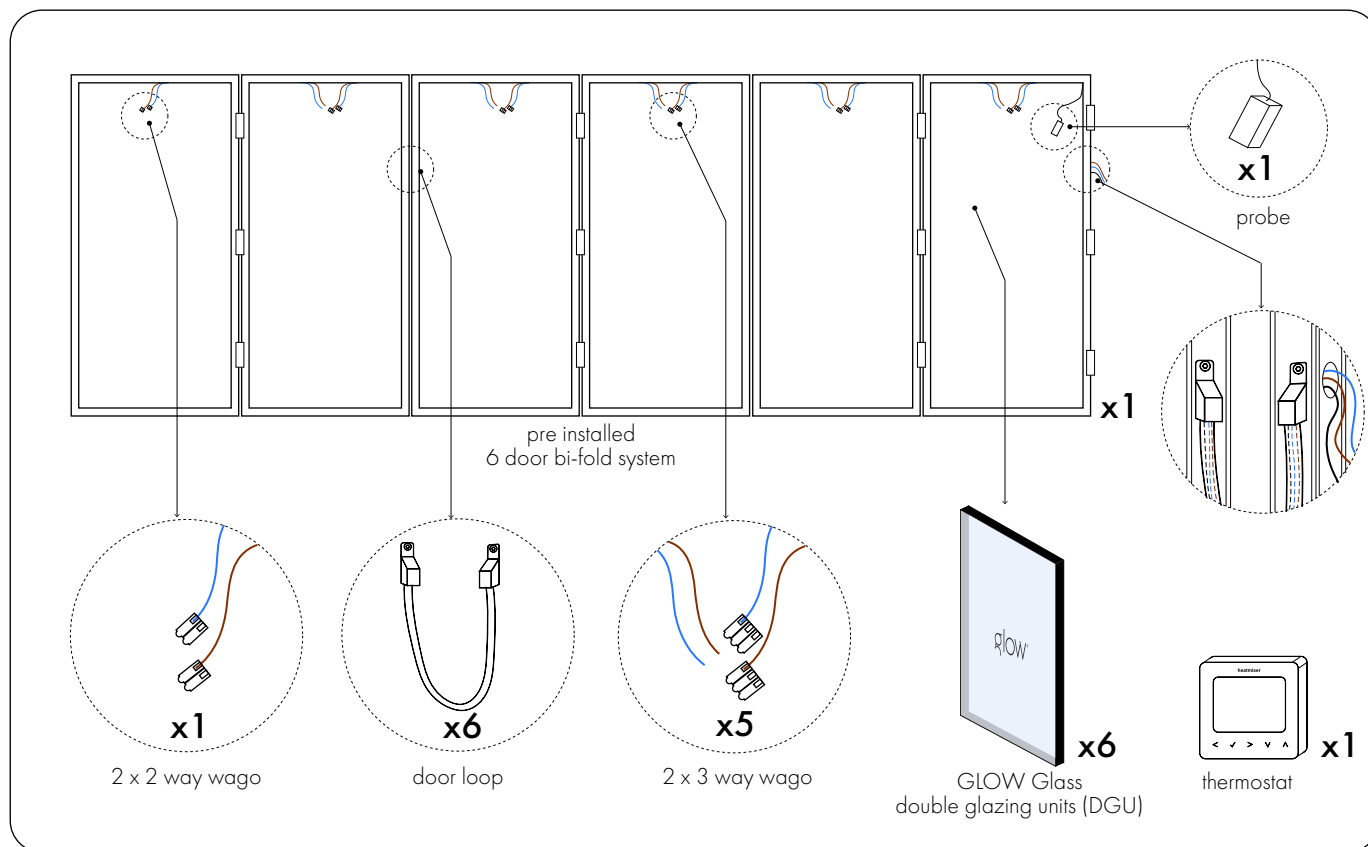
THE NEW INVISIBLE HEATING SOURCE

INSTALLATION MANUAL  
BI-FOLDING DOORS

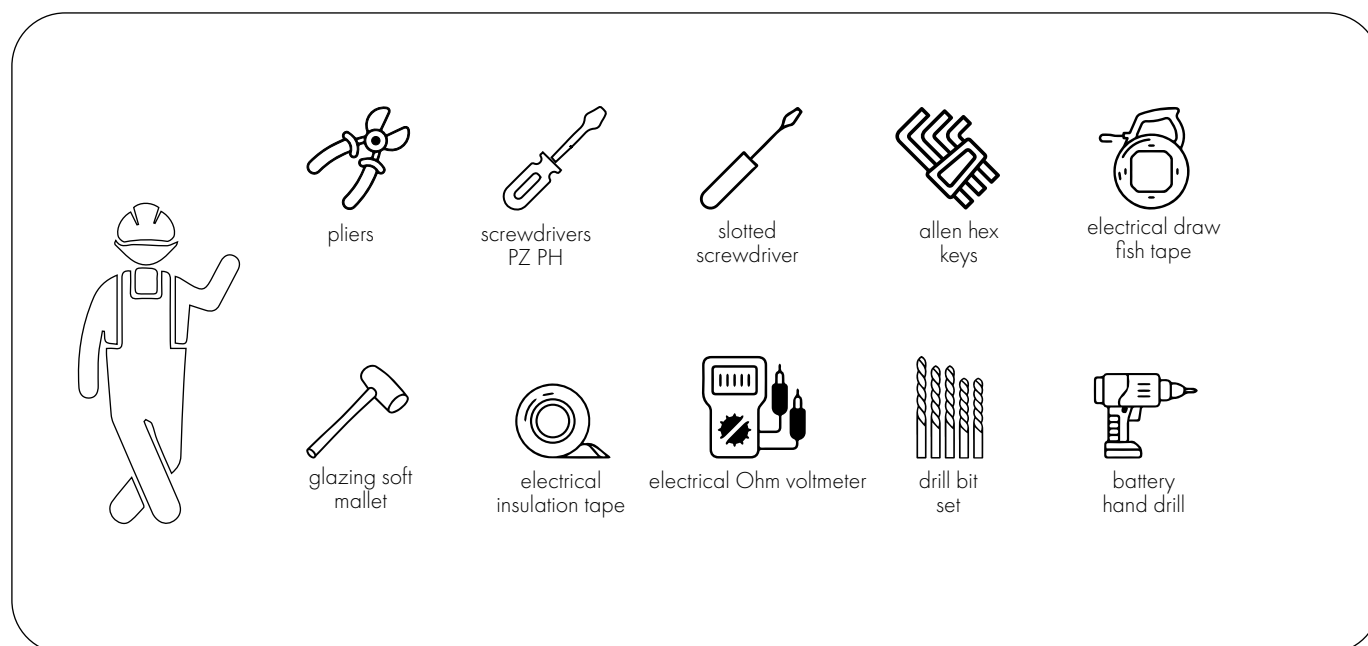
GLOW IS A TUFFX REGISTERED BRAND

**MADE IN BRITAIN<sup>®</sup>**

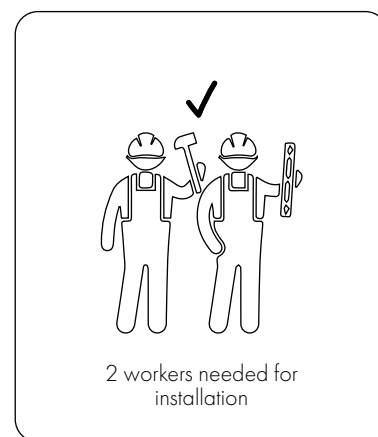
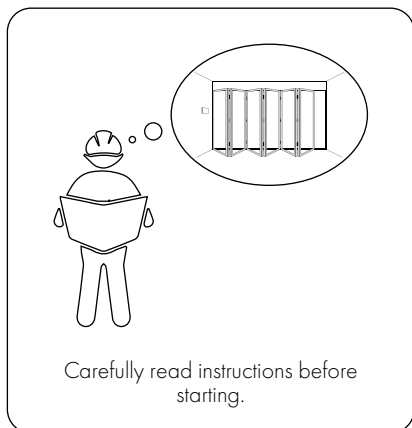
## Your GLOW bi-folds kit includes



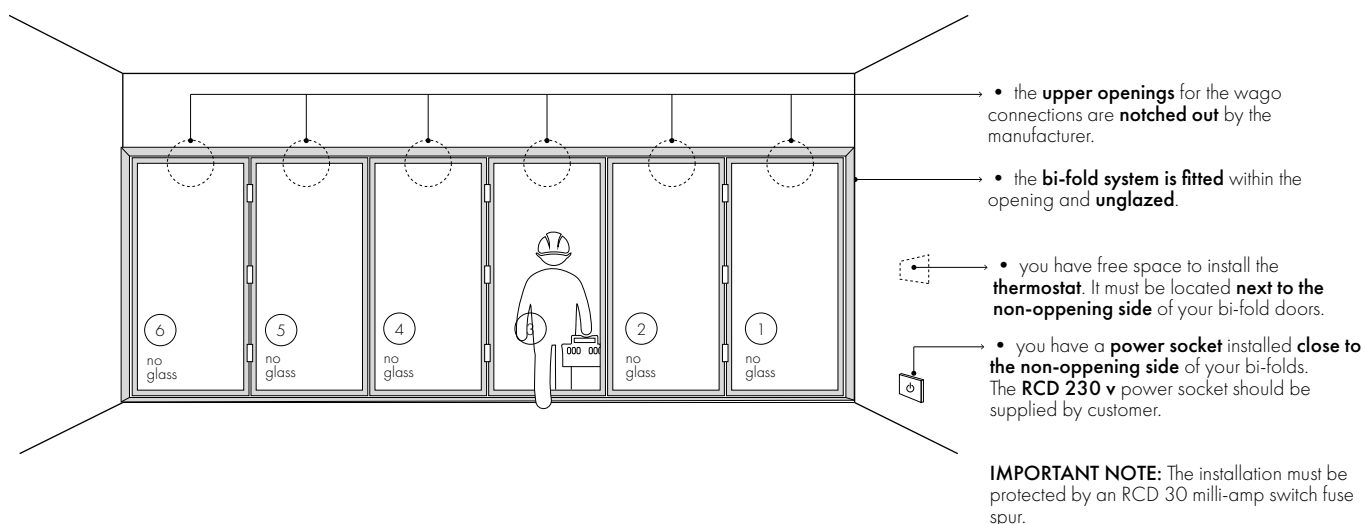
## Required tools



## Before you start



## Please ensure that



## General info

GLOW Heated Glass  
**Brochure**

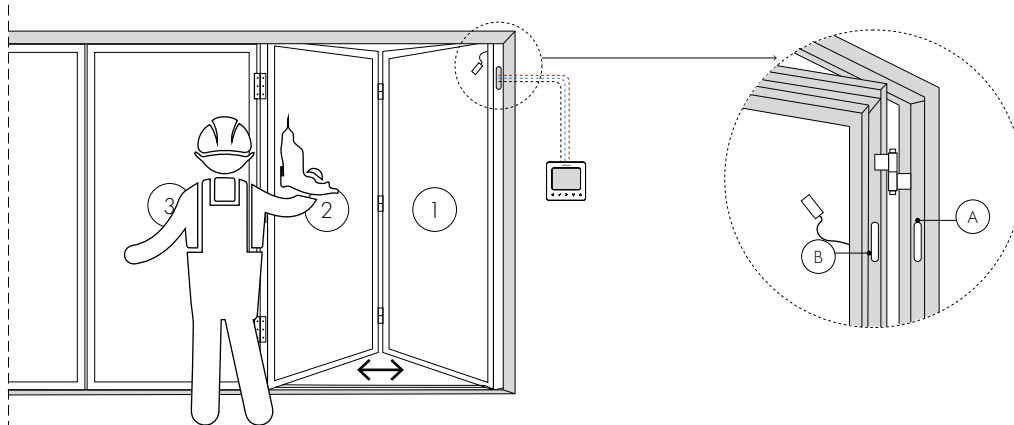
Scan the QR code or visit  
[tuffxglass.co.uk/products/glow-heated-glass](http://tuffxglass.co.uk/products/glow-heated-glass)

GLOW Heated Glass  
**Webpage**

Scan the QR code or visit  
[tuffxglass.co.uk/wp-content/uploads/GLOW\\_HeatedGlass\\_Brochure.pdf](http://tuffxglass.co.uk/wp-content/uploads/GLOW_HeatedGlass_Brochure.pdf)

## STEP 1

### DRILL DOOR LOOP FROM OUTER FRAME & DOOR PANEL No. 1.



- Keep door panel 1 open on an angle for better access to the outer frame.

- A - Work **drill out opening** from the **outer fixed frame** for the cable route from thermostat to outer frame.

- B - Work **drill out cable entry** from **door panel No. 1** for cable entry.



drill bit set

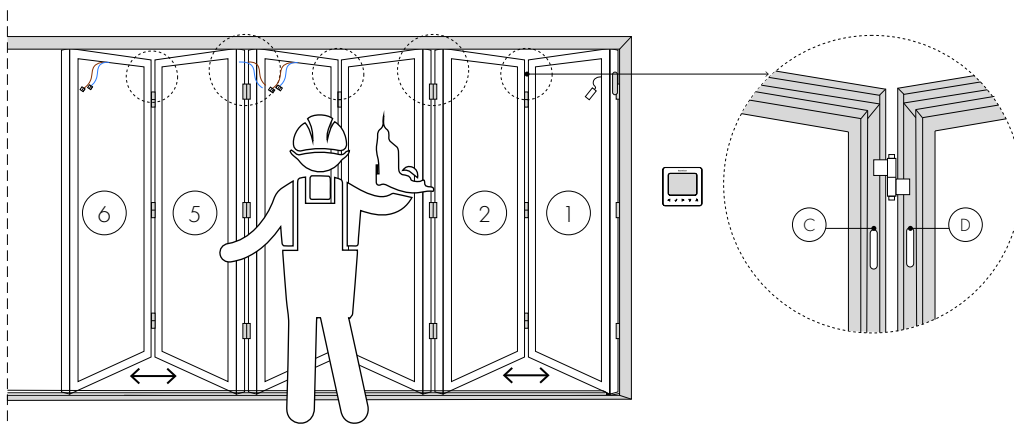


battery hand drill

## STEP 2

### DRILL CABLE EXIT FROM PANEL No. 1.

### DRILL OUT CABLE EXIT ENTRY FROM REMAINING DOOR PANELS.



- Keep all door panel open on an angle for better access.

- C - **Drill out cable exit** from **door panel No. 1** for passing cables.

- D - **Drill out cable entry** from **door panel No. 2** for passing cables.

- **Repeat drill work opening** for all remaining door panels, until all entry/exit door loop openings are done.



drill bit set

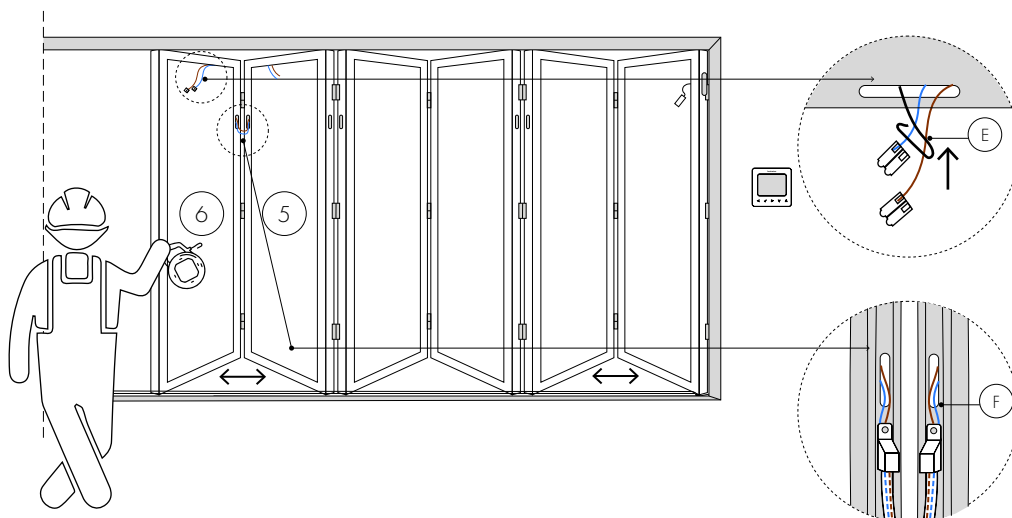


battery hand drill

## STEP 3

### WIRING THROUGH FIRST DOOR LOOP.

### START AT LAST DOOR - PANEL No. 6.



- Start wiring at the last door (opposite to thermostat side)

- Feed **fish tape draw wire** through **door frame No. 6** via the upper Wago connection void. **Exit the fish taped wires at the door loop** between panels No. 6 and No. 5.

- E - Attach **blue + brown cables** to the **draw wire** and feed through the door frame voids.

- F - Feed **draw wire** through the **door loop drawing cable** through at the same time.



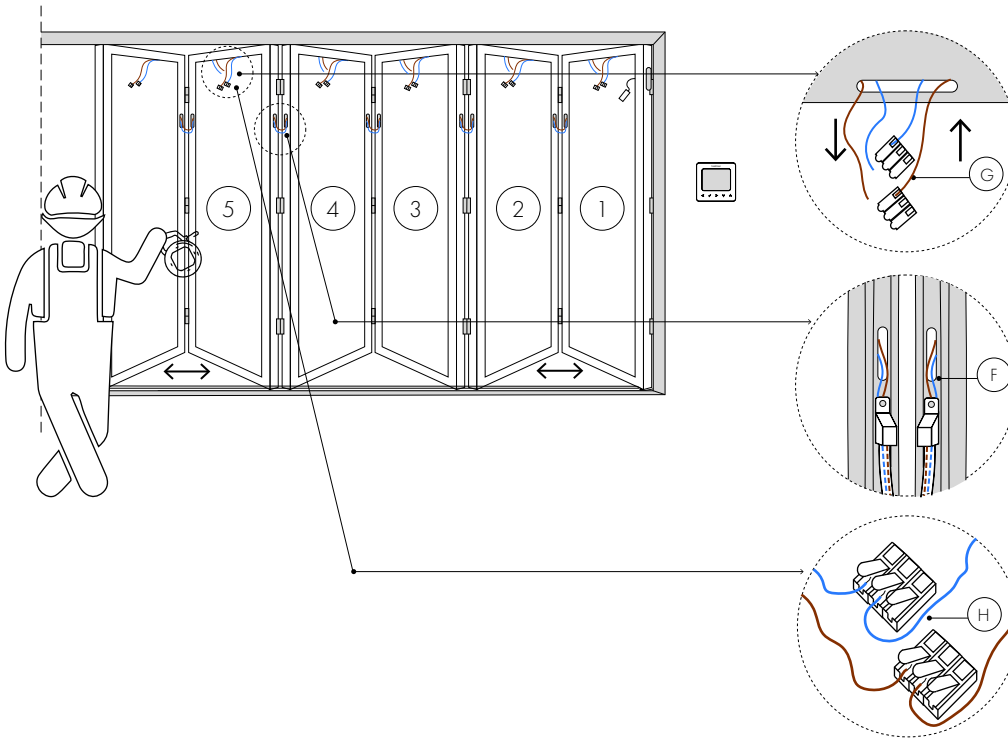
electrical draw fish tape



pliers

## STEP 4

WIRING THROUGH ALL DOOR LOOPS.  
FROM PANEL No. 5 TO PANEL No.1.



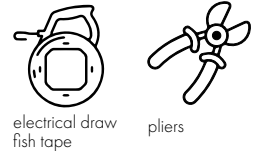
- G + F - Feed draw wire into the next door frame (panel No. 5) exiting at the next Wago connection void.

- Repeat this (G + F) until the blue and brown wires are fed through all the door loops and the cables reach panel No.1

- NOTE: At the upper Wago connection area, feed enough cable to be cut and connected to the system.

- H - From panel No. 1 to panel No.5, connect live (brown) and neutral (blue) electric wires to each 3 way Wago.

- NOTE: Blue wires must be connected to blue wires. Brown wires must be connected to brown wires.

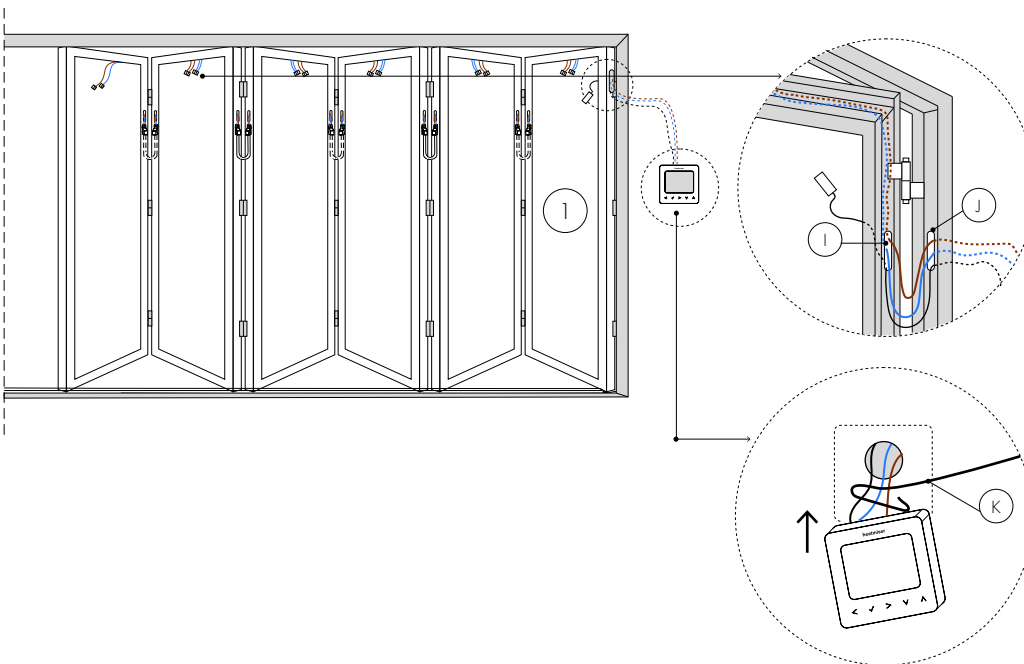


electrical draw fish tape

pliers

## STEP 5

FINISH WIRING & CONNECT TO THERMOSTAT.  
FROM PANEL No. 1 TO OUTER FRAME.  
PROBE WIRING.

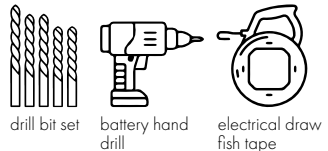


- I - Exit the cables at the No 1 door to outer frame. Leave enough cable (blue + brown wires) to route to the thermostat.

- NOTE: At the upper Wago connection area feed enough cable out of the upper Wago connection area to be cut and connected to the system

- J - Drill out small opening to accept probe cable in the area sensor zone.

- K - Use draw wire fish tape to feed the probe cable from the thermostat to the panel No.1

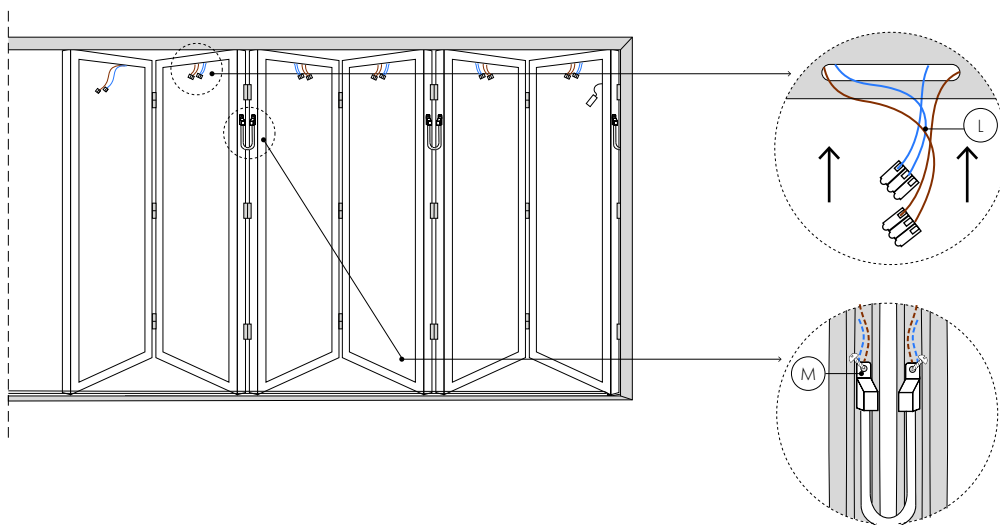


drill bit set

battery hand drill

electrical draw fish tape

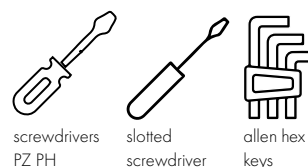
## STEP 6 FIT THE DOORS LOOPS TO THE DOOR FRAMES.



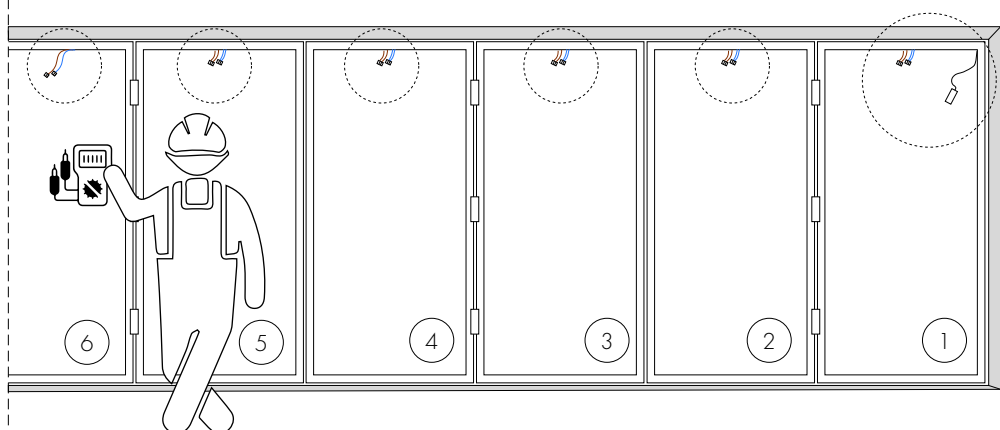
- L - Hide all wires and way wagos into the aluminium frame.

- M - Fit the door loops to the door frame. Work by means of the machine screw.

NOTE: caution not to damage the cables inside the frame.



## STEP 7 CONTINUITY TEST EACH HEATED GLASS UNIT.



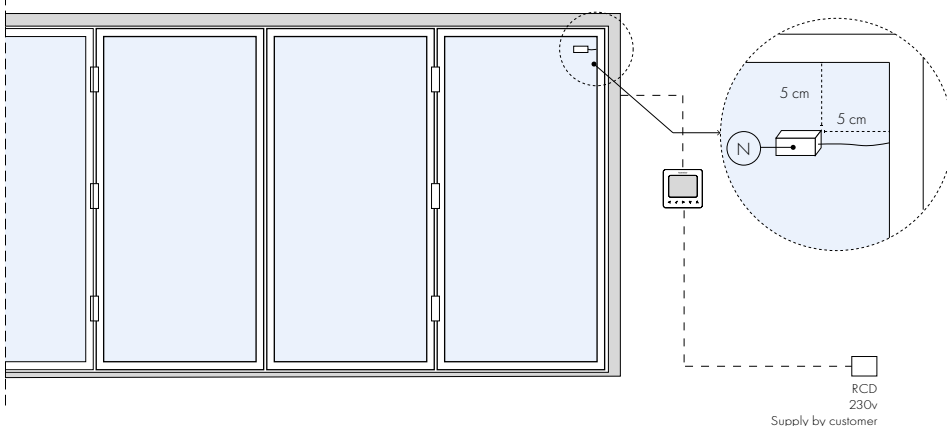
- Prior to glazing, please close all door panels and perform Continuity Tests to each heated glass unit individually, prior to connecting to the system.

- Ensure that the full electrical circuit is closed.



electrical Ohm voltmeter

## STEP 8 FIT THE GLAZED UNITS ATTACH AND CONNECT THE SENSOR PROBE.



- N - Glue the sensor block to the inside face of the glass, using UV sealant, at an ideal distance of 5cm to the top and side of the frame.

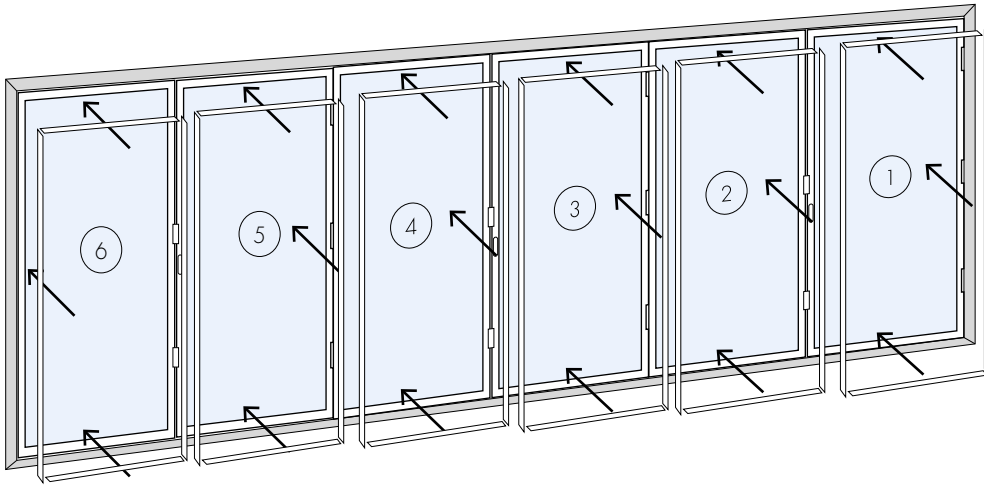
- Connect to the system.

- NOTE: Please ensure that the sensor block and probe are located at the non-opening side of your bi-folds.

- **ALERT:** If the probe is not glued correctly, the whole system won't work.

## STEP 9

### CLIP ALL FRAME COVER CAPS.



- Before clipping the aluminium caps, lock all door panels and fully engage the locks.

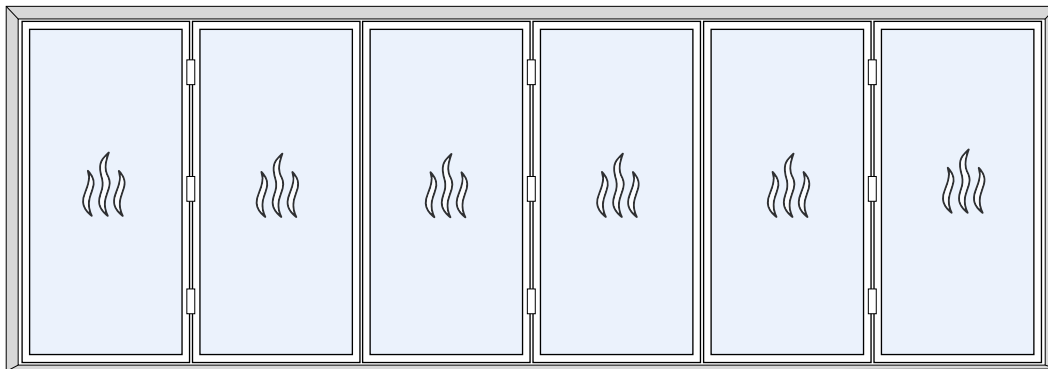
- Starting from panel No.1, use the glazing soft mallet to place the caps into its place and lock access to the wires circuit.



glazing soft mallet

## STEP 10

### TURN THE THERMOSTAT ON & SET PARAMETERS.



- Follow the Heatmiser Thermostat instructions.

- NOTE: The installation must be protected by an RCD 30 milli-amp switch fuse spur.

